

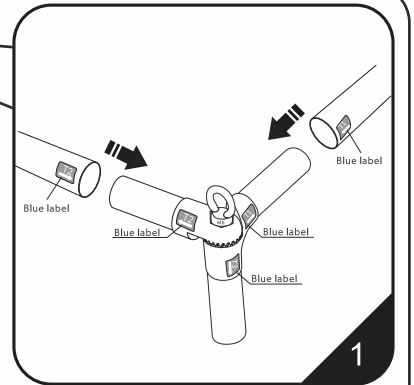
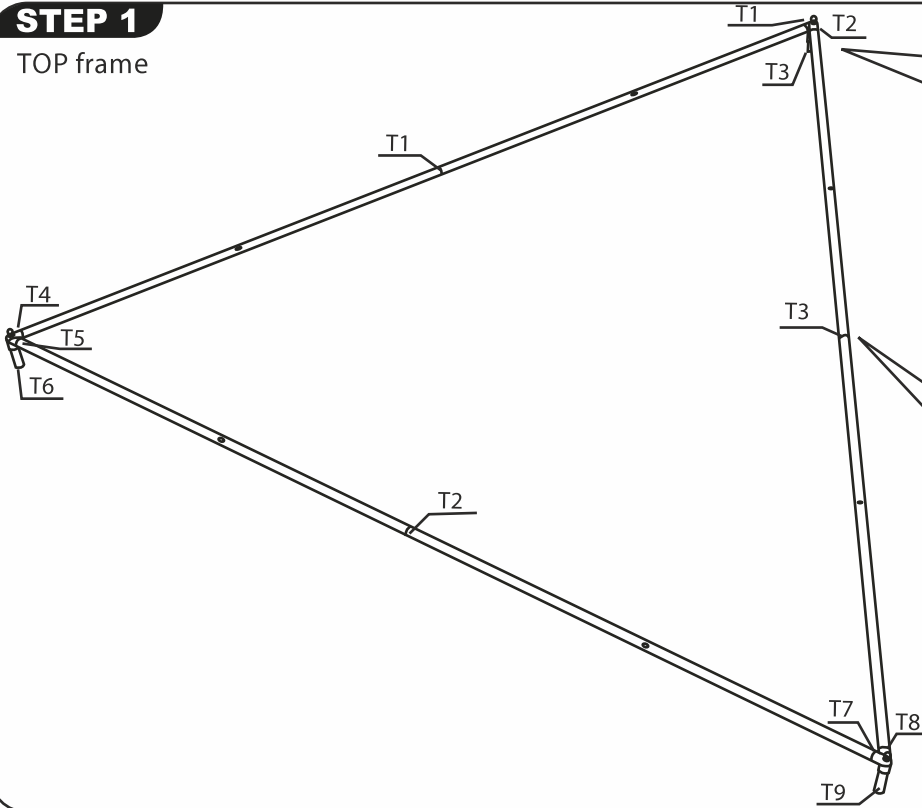


# Enseigne textile suspendue triangulaire

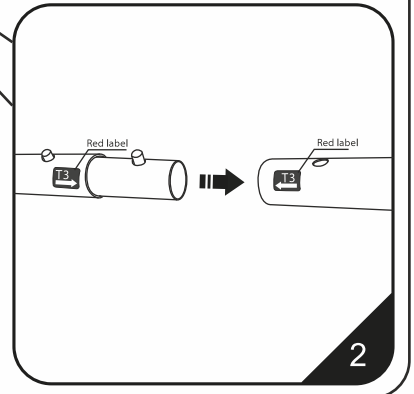
## Notice de montage

### STEP 1

TOP frame



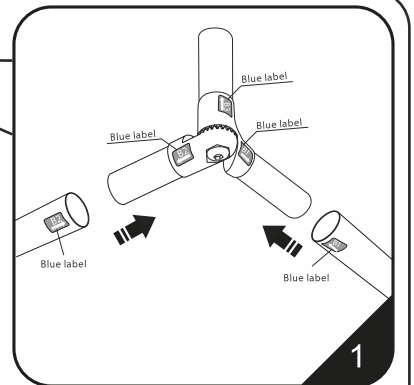
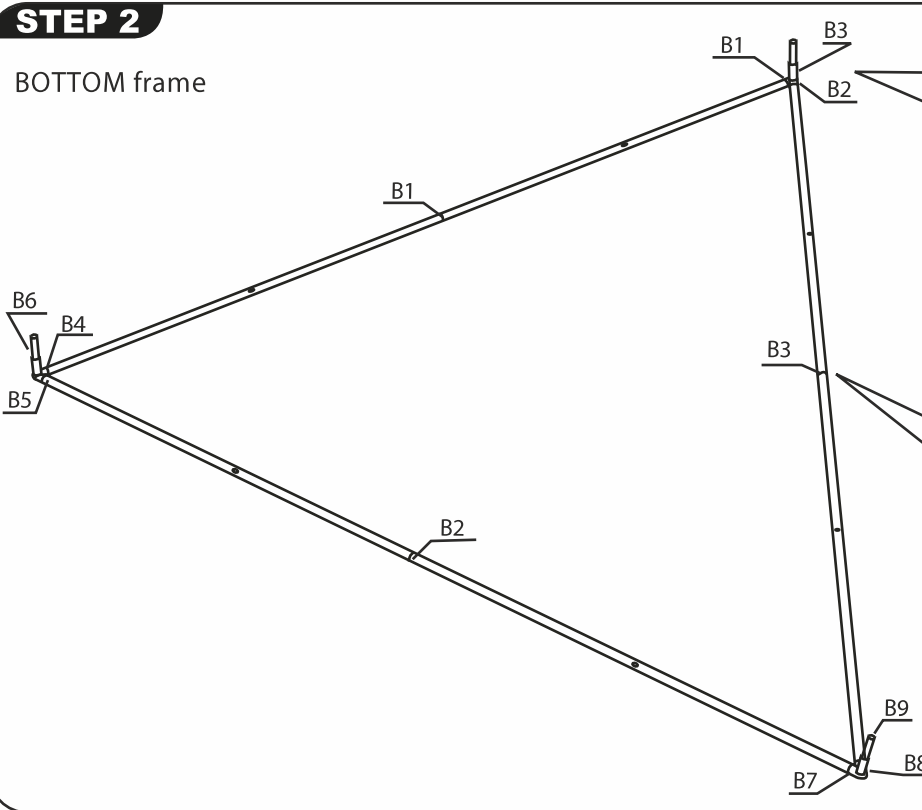
1



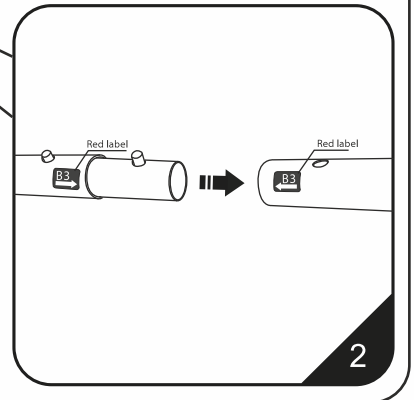
2

### STEP 2

BOTTOM frame



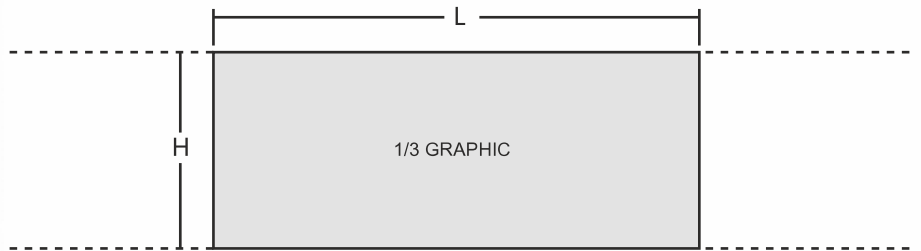
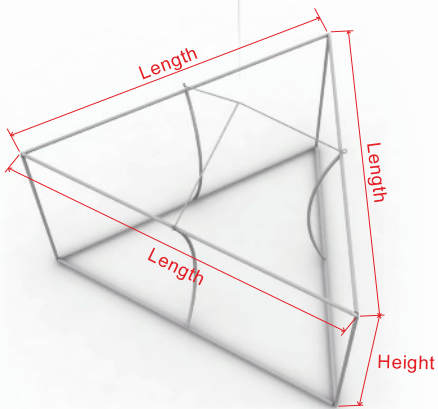
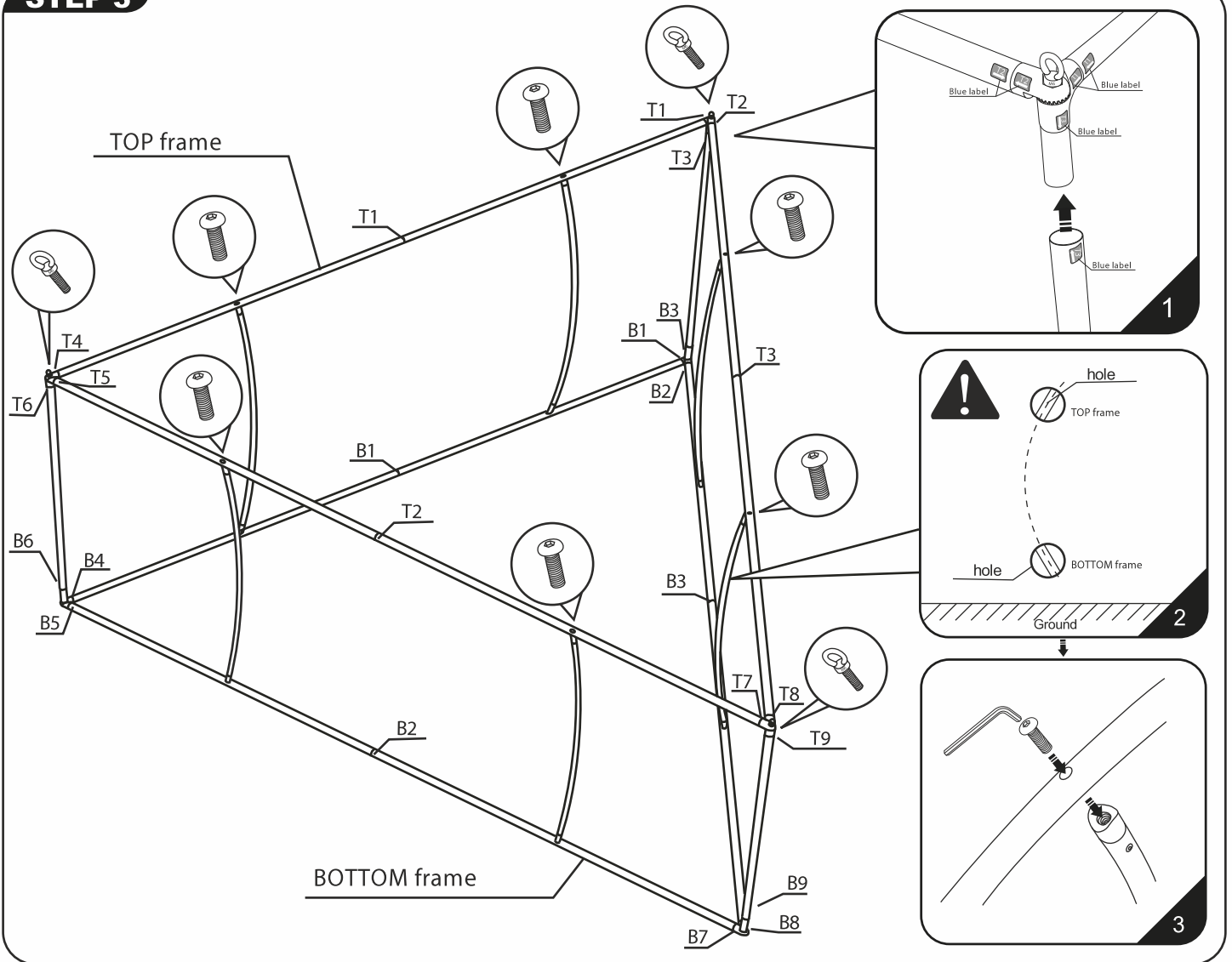
1



2

NEXT PAGE

**STEP 3**



Frame Size: 10'(3048mm).L x 3.5'(1067mm).H  
 14'(4267mm).L x 3.5'(1067mm).H  
 20'(6096mm).L x 4'(1219mm).H

1/3 Graphic Size: 3048mm.L X 1067mm.H  
 4267mm.L X 1067mm.H  
 6096mm.L X 1219mm.H



**CAUTION:**  
**PLEASE READ THE INSTRUCTIONS BEFORE INSTALLING PRODUCT**